

THE FINEST
ROLL COVERS &
ACCESSORIES
ON EARTH



**PRODUCT
BROCHURE**



SUPERIOR TRUCK COVERS



MISSION STATEMENT

Truck Covers USA is dedicated to building superior truck covers using tomorrow's technology and innovation while competing at today's prices. We insist on a highly trained staff, cutting edge design, state of the art materials and undivided attention to the smallest details. Our success is measured by customer satisfaction, and our decisions are driven by both consumer feedback and our passion for excellence.

OUR PRODUCT

Our signature product is The American Roll Cover. With over a decade in the industry and our strong commitment to quality, we have gained a reputation in the market for the very best in product and service to our customers. We accomplished this amazing feat by listening to customer feedback. Our covers have enhanced almost every imaginable truck bed, secured cargos worthy of a king's ransom and survive weather conditions impossible to reproduce in a lab. The feedback we received has been invaluable in creating a truck cover that will more than meet your needs. As a results-driven company, we listened, and we responded with a superior product!

ABOUT TRUCK COVERS USA

Truck Covers USA strives to revolutionize the roll cover industry by blazing a new trail in product design, development and production. We are not in business to produce truck covers that represent the industry standard, we are in business to become the industry standard.



SEMA AWARD WINNER



**PROUDLY
MADE IN
THE USA**



AMERICA'S BEST TRUCK COVERS, TOOLBOXES & RACKS!

AMERICAN ROLL COVER

The toughest, best-looking, retractable aluminum cover available today. Built on Experience; Easy to Install; Superior Style; Easy to Operate; Durable, Secure, Convenient. Protects cargo from weather & theft. Quality, Security & Strength – For Work or For Play.

PAGE 4



AMERICAN WORK COVER

An industry first Toolbox & Roll Cover Combination. Two essential products are combined to create the ideal work truck combination of the highest quality. This multifunctional product was engineered & designed with the work truck and superior style in mind. The preferred choice of America's Finest Fleets.

PAGE 6



AMERICAN WORK COVER JR.

The Junior Toolbox was built and designed to fit directly on top of our American Roll Cover, taking up no additional bed space. Ideal to secure and carry tools, plans, and other small equipment. Perfect for new & existing American Roll Cover customers.

PAGE 8



AMERICAN TRUCK RACK

A multi-purpose ladder rack that can be used with roll-top tonneau covers. Its aluminum and stainless steel design elements create a sturdy, yet eye-pleasing mechanical structure. Easy installation using stake pocket holes. Rack weighs about 60lbs, but carries up to 500lbs.

PAGE 10



AMERICAN RACK SYSTEM

PAGE 12

AMERICAN SNAP-LOC!

PAGE 13

AMERICAN SPRING STEP

PAGE 14

AMERICAN TAILMATE

PAGE 14

AMERICAN TAILGATE SEAL

PAGE 15

WONDER AUTO CLOTH™

PAGE 15

BUILT TO LAST



AMERICAN ROLL COVER

FIT

The American Roll Cover is designed to expertly fit virtually every make and model of pickup truck sold today. Our roll cover has been uniquely engineered to adapt to most factory and aftermarket accessories such as toolboxes, racks and much more!

DURABILITY

The American Roll Cover is double wall constructed using strong, lightweight aluminum. The cover alone is able to support an incredible 500lbs! In an effort to reduce scratching, the cover is finished with an attractive and durable textured powder coating.

SECURITY

If you did not worry about protecting your cargo, you would not be carrying it with you. The American Roll Cover features a specialized locking system that keeps your load safe and your truck bed secure.

CONVENIENCE

The American Roll Cover is cleverly designed to accommodate various cargo needs. The retractable cover is tension driven for ease of movement, and has an automatic stop and lock point every 12 inches. This means you have the option of an open truck bed, a closed truck bed, or a partially open truck bed to provide just the right amount of cargo coverage and security anytime.



THE AMERICAN ROLL COVER IS THE TOUGHEST, BEST-LOOKING, RETRACTABLE ALUMINUM COVER AVAILABLE TODAY!

BENEFITS

- **LOCKS AUTOMATICALLY EVERY 12 INCHES**
- **KEYLESS ENTRY QUICK RELEASE OPTION!**
- **ENHANCES APPEARANCE OF ANY TRUCK**
- **IMPROVES GAS MILEAGE (7%-10%)**
- **WEATHER RESISTANT**
- **UNBEATABLE 4-WAY DRAINAGE SYSTEM**
- **CUSTOM MADE HEAVY-DUTY ALUMINUM CLAMPS**
- **SMOOTHEST RETRACTABLE ACTION**
- **DOUBLE-WALLED ALUMINUM CONSTRUCTION**
- **UNMATCHED SECURITY**
- **SMALLEST, YET TOUGHEST CANISTER (8 X 8 INCHES)**
- **TEXTURED POWDER COATED FINISH**



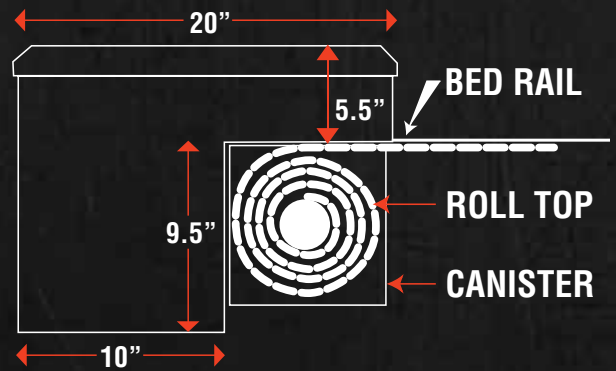


AMERICAN WORK COVER

A tool box and American Roll Cover combination that makes a marriage of the highest product qualities – thus, TRUCK COVERS USA introduces you to the AMERICAN WORK COVER. This multifunctional product was engineered & designed with the work truck & style in mind – a must have for any work truck!

- Heavy-Duty Galvanized Sheet Metal Sectioned Tool Box
- Stylish Design & Superior Construction
- Durable & Tough
- Rust Preventative Properties
- 2 Products in 1 – Multifunctional with Unmatched Security
- Space Saving Design
- OEM grade locking mechanisms which are e-treated for more wear resistance. Lock provides override if outside paddle should be locked. Molded rubber gasket for flange of housing provides resistance to water and dust infiltration.
- Enhances the look of any Work Truck with Convenience and Ease of Use

With new innovative features & products, Trucks Covers USA sets itself apart from the competition. We are not in business to produce truck covers that represent the industry standard, we are in business to become the industry standard. After seeing the number of requests rapidly growing for the American Roll Cover to be modified to fit a particular truck bed along with an existing tool box and realizing this niche in the market – research and development began. Two much needed products were now combined for the ideal work truck combination. The American Work Cover is awesome looking with the same unsurpassed quality Truck Covers USA prides itself on. Security, Style and Simplicity in a must have cover for any work truck!



THE AMERICAN WORK COVER - ENGINEERED & DESIGNED WITH THE WORK TRUCK IN MIND!

BENEFITS

● ENHANCES APPEARANCE OF ANY WORK TRUCK

● IMPROVES GAS MILEAGE (7%-10%)

● WEATHER RESISTANT

● UNMATCHED SECURITY

● TEXTURED POWDER COATED FINISH

● TWO PRODUCTS IN ONE - TOOLBOX & ROLL COVER COMBO

● A TRUCK COVER THAT REALLY WORKS!

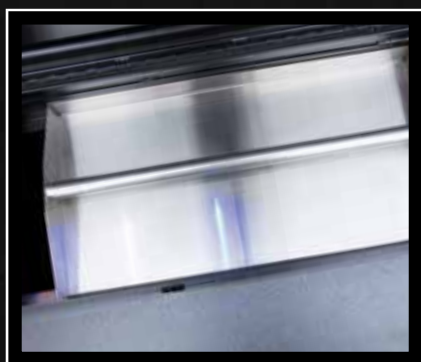
● TOOLBOX & COVER ARE KEYED THE SAME

● OPTIONAL POWER LOCKING FOR TOOLBOX

● OPTIONAL BUILT-IN LIGHTING FOR TOOLBOX

● OPTIONAL STAINLESS STEEL TRAYS

● OPTIONAL CHROME HANDLES



Options Available: Additional Cost

- ⊕ Power Actuators
- ⊕ Built-in American Cargo Light Strip/Shield
- ⊕ Stainless Steel Trays (Black Trays are standard)
- ⊕ Chrome Handles (Black handles are standard)
- ⊕ X-Box Version (Line-X Premium)

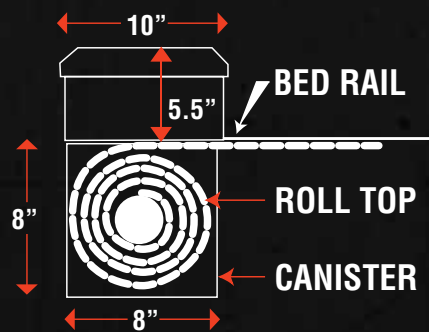




AMERICAN WORK COVER JR.

Truck Covers USA is proud to introduce the American Work Cover Jr. With the success of & awards for our original American Work Cover product, we were focused on providing the next stage in innovation, a smaller version of our original Toolbox. An industry first, this new Toolbox Jr. is able to replace the American Roll Cover canister lid to provide the convenience of a toolbox without any additional loss of bed space. The ideal product for the journeyman or outdoorsman to carry tools & other equipment without the loss of any additional bed space. Keeps whatever you need to carry safe & secure. Product features include: heavy duty metal construction, OEM grade locking mechanisms, gas shock opening. Perfect for new & existing American Roll Cover customers. The American Work Cover Jr. – another new and innovative product from Truck Covers USA.

- The Finest Toolbox available – Quality & Security!
- The Toolbox Jr. is a great addition to the American Roll Cover. Easy install with your existing American Roll Cover.
- Takes up no additional bed space while providing safe & secure storage for tools and equipment.
- Product features include: heavy duty metal construction, OEM grade locking mechanisms, gas shock opening.
- Perfect for new & existing American Roll Cover customers.



THE AMERICAN WORK COVER JR. - SAFE & SECURE STORAGE FOR TOOLS & EQUIPMENT

BENEFITS

● ENHANCES APPEARANCE OF ANY TRUCK

● IMPROVES GAS MILEAGE (7%-10%)

● WEATHER RESISTANT

● UNMATCHED SECURITY

● TEXTURED POWDER COATED FINISH

● TAKES UP NO ADDITIONAL BED SPACE

● A TRUCK COVER THAT REALLY WORKS!

● TOOLBOX & COVER ARE KEYED THE SAME

● PERFECT FOR NEW & EXISTING ROLL COVER CUSTOMERS

● EASY INSTALL WITH EXISTING AMERICAN ROLL COVER

● SECURE STORAGE FOR TOOLS & EQUIPMENT



Options Available: Additional Cost

Chrome Handles (Black handles are standard)

X-Box Version (Line-X Premium)



AMERICAN TRUCK RACK

Truck Covers USA introduces the American Truck Rack – A multi-purpose ladder rack that can be used with roll-top tonneau covers. It integrates aluminum and stainless steel design elements to create a sturdy, yet eye-pleasing mechanical structure. Using stake pocket holes, installation is easy. No drilling required. Rack weighs about 60lbs, but carries up to 500lbs. Aerodynamic crossbars lie flat on top to support loads and improve airflow and gas mileage. The rack removes in minutes and disassembles for compact storage.

Proudly designed and manufactured entirely in the USA.

- The American Truck Rack is a multi-purpose ladder rack that can be mounted and simultaneously used with roll-top tonneau covers by Truck Covers USA.
- This truck rack is made entirely in the USA.
- Integrates Aluminum and stainless steel design elements to create a sturdy but eye-pleasing mechanical architecture.
- Easily installs to the bedrails of pickups with stake pocket holes **WITHOUT DRILLING!**
- Weighs only about 60 lbs. but easily carries up to 500 lbs.
- Features aerodynamic crossbars that are flat on top to gently support loads, and rounded front and rear to improve airflow and gas mileage.
- Includes a tie-down eyelet at the end of each crossbar and at the base of each leg making tying down cargo with ratchet straps or ropes a cinch.
- Facilitates loading cargo with a forklift.
- Side-rails provide platform for mounting optional accessory crossbars just above the bed for a second level load option.
- Removes easily and disassembles for compact storage.



THE AMERICAN TRUCK RACK - CUSTOM DESIGNED HEAVY-DUTY RACK SYSTEM THAT REALLY WORKS!

BENEFITS



EASY TO INSTALL & REMOVE



LED LIGHTS (OPTIONAL)



CARRY LOADS UP TO 500LBS



INTEGRATED STAINLESS STEEL & ALUMINUM DESIGN



DISASSEMBLES FOR COMPACT STORAGE



SECOND LEVEL CARGO OPTION AVAILABLE





AMERICAN RACK SYSTEM

Truck Covers USA offers Yakima tracks pre-installed on our side rails with any new Roll Cover unit. Customers with an existing Truck Covers USA roll cover who wish to incorporate this new & exciting cargo carrying option can purchase Yakima tracks pre-cut with installation hardware and instructions. Thereafter, you can "Plug & Play" with other Yakima components – all offered by Truck Covers USA like landing pads, control towers, cargo bars, and lock cores – building up the ultimate adventure vehicle for all your sports & hobby needs. Truck Covers USA offers this incredible Rack System; Rock-N-Roll by attaching almost any cargo carrying apparatus Yakima offers through Truck Covers USA. The adventure options are endless – Bikes, Boards, Skis – Work, Play & Pack the Pleasure with Truck Covers USA's American Rack System.

Options Available: Additional Cost

- ⊕ Yakima Tracks Pre-Installed
- ⊕ Yakima Tracks Pre-Cut For Self-Install
- ⊕ Yakima Complete Add-On System
(includes landing pads, control towers, lock cores & cargo bars)



AVAILABLE FOR NEW & EXISTING ROLL COVER CUSTOMERS





1



2



LOC!

AMERICAN SNAP-LOC!

The most versatile cargo control and restraint system ever made. Whatever your application, this is the best system for you. Whether you're tying down a motorcycle, ATV, boxes, furniture, lumber, equipment, ladders and more – American Snap-Loc products are the next generation of quality anchor points and strap systems that will change the way you secure cargo forever!

Just a few of the possible uses for American Snap-Loc Products:

- Pick-up truck beds and tailgates
- Flat bed truck beds
- Service body trucks
- SUV & Van roofs/racks
- Trailers & RVs

An International New Product Award Winner at SEMA 2006 – Truck Covers USA's American Snap-Loc products are a complete system to meet every cargo management need. The only cargo management system of its kind on the market.

Available as follows:

- Single Set – 16' Ratchet Strap and set of 2 Loc-Downs
 - Deluxe Set – 16' Ratchet Strap, set of 2 Loc-Downs and 2 D-Rings
 - Premium Set – Two 16' Ratchet Straps, 4 Loc-Downs and 1 Loc-Link
- All items are also available separately.



Unique Loc-Down system allows you to install anchor points where desired.

16' Ratchet Strap is standard with E-track fitting for securing your cargo.

D-rings are available for additional versatility.

American Snap-Loc products will never come loose accidentally – they are a positive locking system for any cargo.

Industrial strength rated – having the highest strength rating for a cargo control system. Loc-Links are also available for connecting E-track fittings such as 2 straps or straps and D-rings.

AMERICAN SPRING STEP

An attractive and practical solution to accessing the back and side of SUVs, Trucks, RVs and Service Vehicles.

The American Spring Step was designed to be appreciated and used by men and women alike. Pushed open or closed with the toe of your shoe, the patent pending over center spring system holds its position. The precision manufactured American Spring Step is brought to life with beautiful inserts, making it a must have for all. Get yours today from TRUCK COVERS USA!



BENEFITS

- **TESTED TO 600 LBS.**
- **BILLET AIRCRAFT ALUMINUM**
- **UNIQUE, SIMPLE & STYLISH**

AMERICAN TAIL-MATE

- Sturdy construction can support payloads of up to 1000lb*
- Robust support beam can handle cargo up to 51 inches wide
- Typically extends the bed length by more than 30 inches
- Ideal for transporting lumber and other oversize materials
- Helps prevent heavy loads from damaging your truck's tailgate
- Tie-down loops make it easy to secure your payload
- Adjustable to fit most full size trucks, suvs and jeeps
- Designed for maximum ground clearance
- Can be installed with any class 3 hitch receiver
- Quick and easy to assemble, install and adjust
- Two piece construction makes it easy to store almost anywhere
- Weighs less than 50lbs
- Rugged tubular structure is protected by a durable powder coat paint
- The American Tail-Mate comes with all necessary hardware
- Note: Do not exceed the tongue weight capacity of your vehicle or tow hitch



AMERICAN TAILGATE SEAL

The American Tailgate Seal has been engineered and designed to accommodate any model tailgate with a precise and snug fit. Conforms to any gap - large or small.

Simple to install.



BENEFITS

- Provides added security from the elements
- Prevents dust, rain and snow from entering your truck bed!

WONDER AUTO CLOTH

AMERICAN WONDER AUTO CLOTH –

The Ultimate Cloth for your ride, and your Truck Covers USA Roll Cover! Super absorbent; machine washable; long-lasting. Holds 12 times its weight in water.

COMPARE AFTER ONE MONTH

WONDER AUTO CLOTH

- Super absorbent
- Machine washable
- Dries fast
- Does not tear
- Long-lasting and durable



CHAMOIS

- Poor absorption
- Not Machine washable
- Time consuming
- Tears easily
- Deteriorates after moderate use



THE FINEST
ROLL COVERS &
ACCESSORIES
ON EARTH



Truck Covers USA, LLC

8970 Crestmar Point
San Diego, CA 92121-3216

Telephone: (888) 808-2872 / (858) 622-9135

Fax: (858) 622-0577